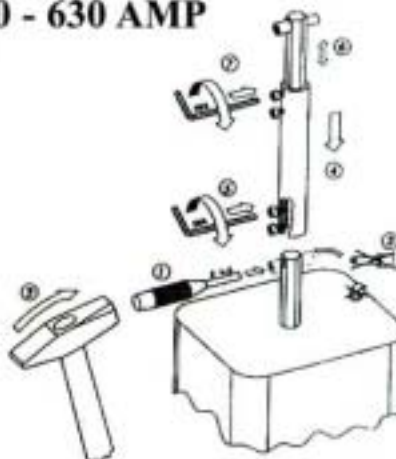




400 - 630 AMP



SHAFT EXTENSION KITS

	PART #	LENGTH L (mm)	LIST
D	206 406	300	\$137

DISCONNECTS
to 600 AMPS

International requirements: The type DL8 and DL9 disconnects comply with the requirements of DIN EB 60 204 part 1 / VDE 0113 section 5.3 for hand-operated main switches. According to EN 60 947-3 European Norm, the disconnects are also rated to comply with utilization category AC-23B.

Voltage rating: 1000 Isolation Volts, DL series switches comply with the isolator requirements according to VDE for 1000 V in 3-phase systems. The connection terminals have individual terminals for connection to lugs or bus. The double lever type handle DHV is equipped with an interlocking for 3 padlocks.

3-pole or 4-pole: The switches can also be supplied in 4-pole execution as switching neutral.

Operating handle red -
Face plate yellow RG



	Switch size	Thermal rated current I _{th} A	Front Mounting F55		Base mounting with door coupling and door interlock PVF55	
			DHV			
			Catalog number	List	Catalog number	List
3-poles	DL8	400	E DL8-3F 5 FM-*	\$2130	E DL8-3F 5 BM-*	\$2130
	DL9	630	E DL9-3F 5 FM-*	\$2400	E DL9-3F 5 BM-*	\$2400
4-poles	DL8	400	E DL8-4F 5 FM-*	\$2610	E DL8-4F 5 BM-*	\$2610
	DL9	630	E DL9-4F 5 FM-*	\$2950	E DL9-4F 5 BM-*	\$2950

SUFFIX: Add -RG for Red-Yellow operator handle.
Add -SI for Black-Silver operator handle.

DIMENSIONS: See page ET 20.